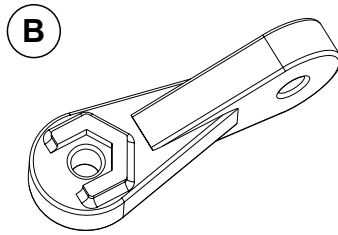
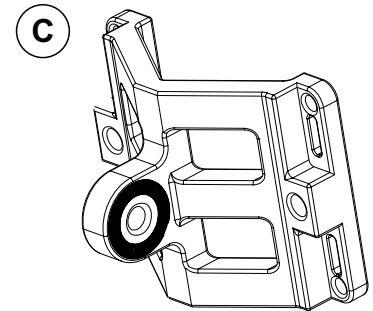


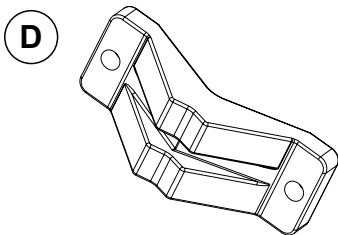
A
Base bracket
1x



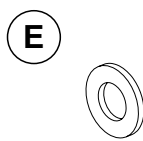
B
Arm bracket
1x



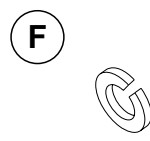
C
Wall/Poll bracket
1x



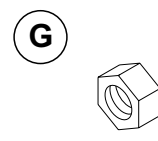
D
Clamping bracket
1x



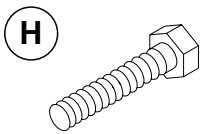
E
Flat washer M5
4x



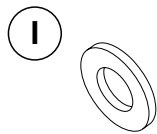
F
Spring washer M5
4x



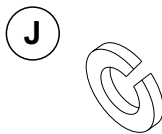
G
Nut M5
4x



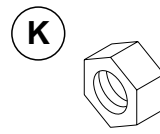
H
Bolt M8x40
4x



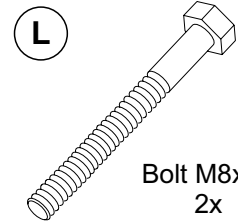
I
Flat washer M8
4x



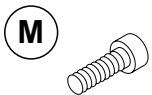
J
Spring washer M8
4x



K
Nut M8
2x

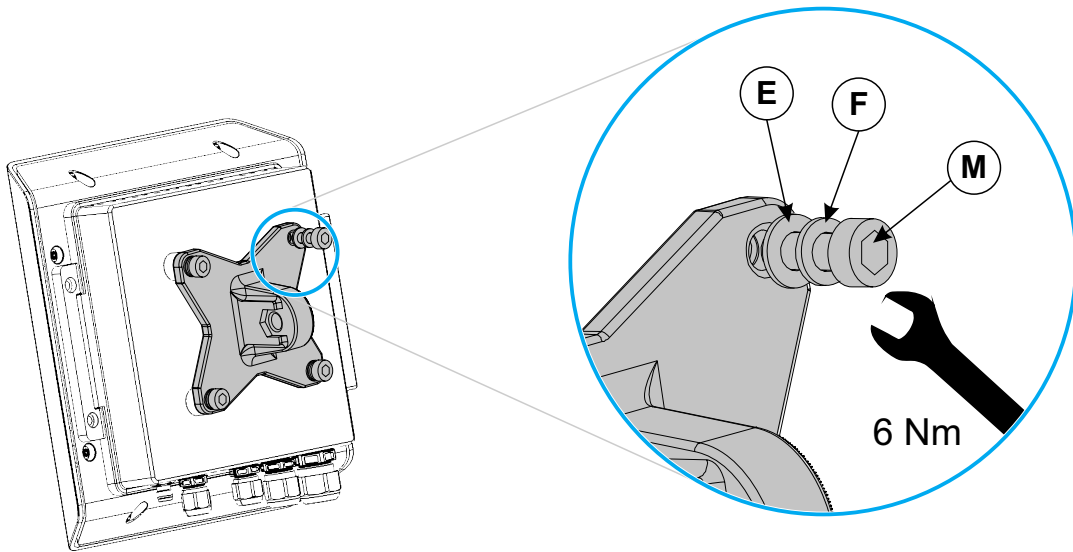


L
Bolt M8x70
2x



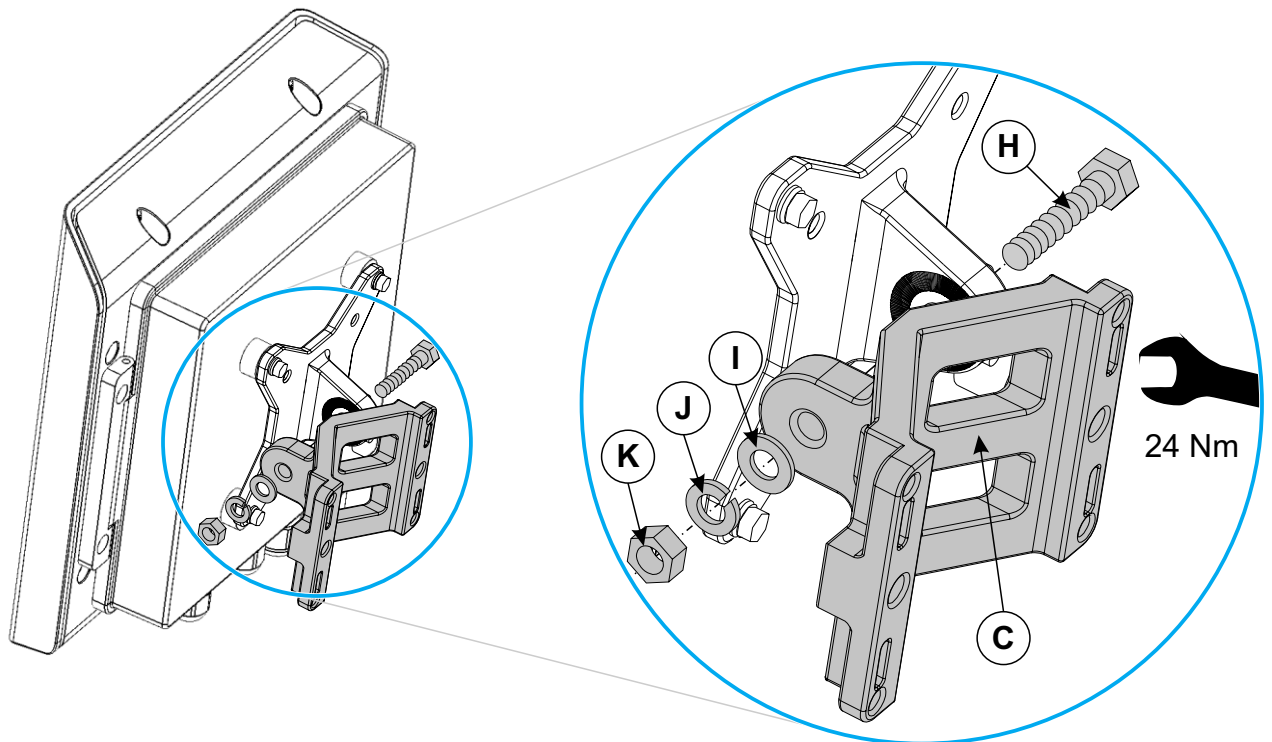
M
Bolt M5x12
4x

Base Bracket Mounting



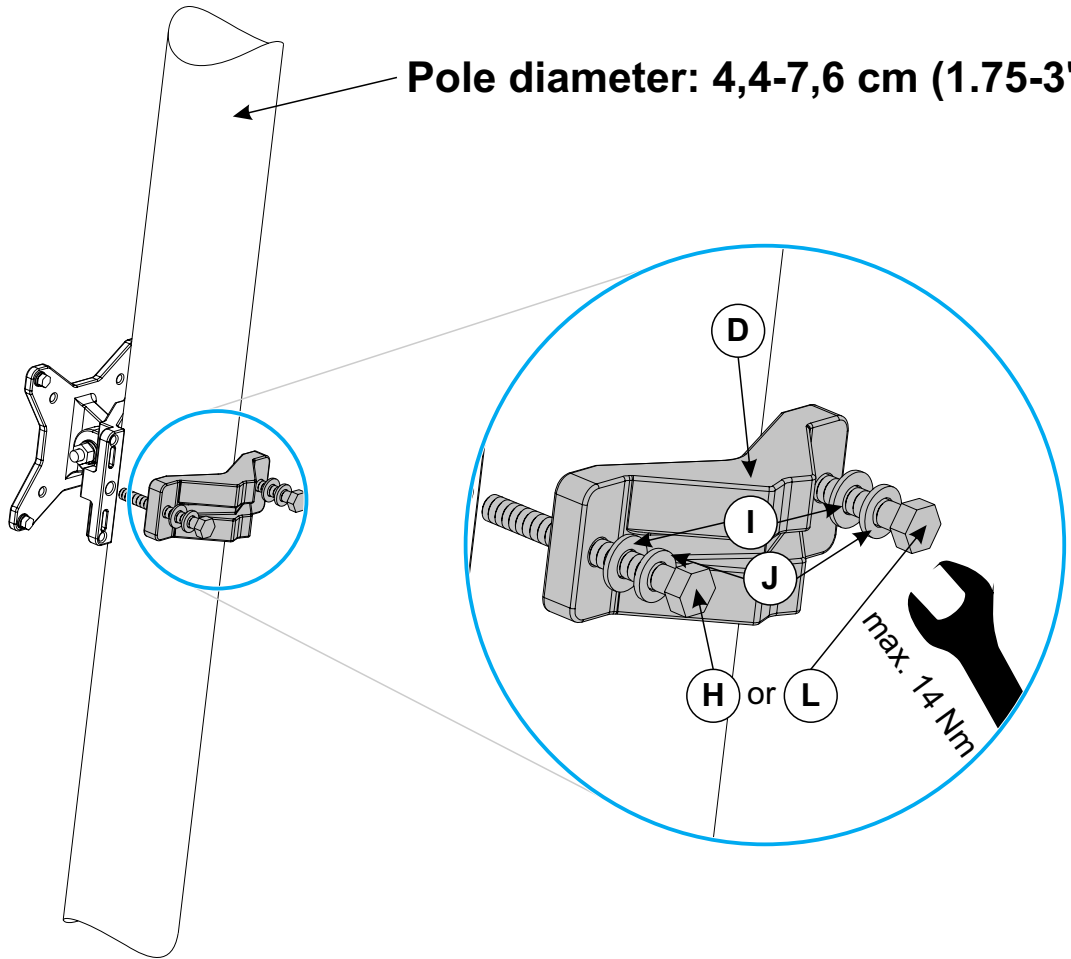
Pole Mounting

1



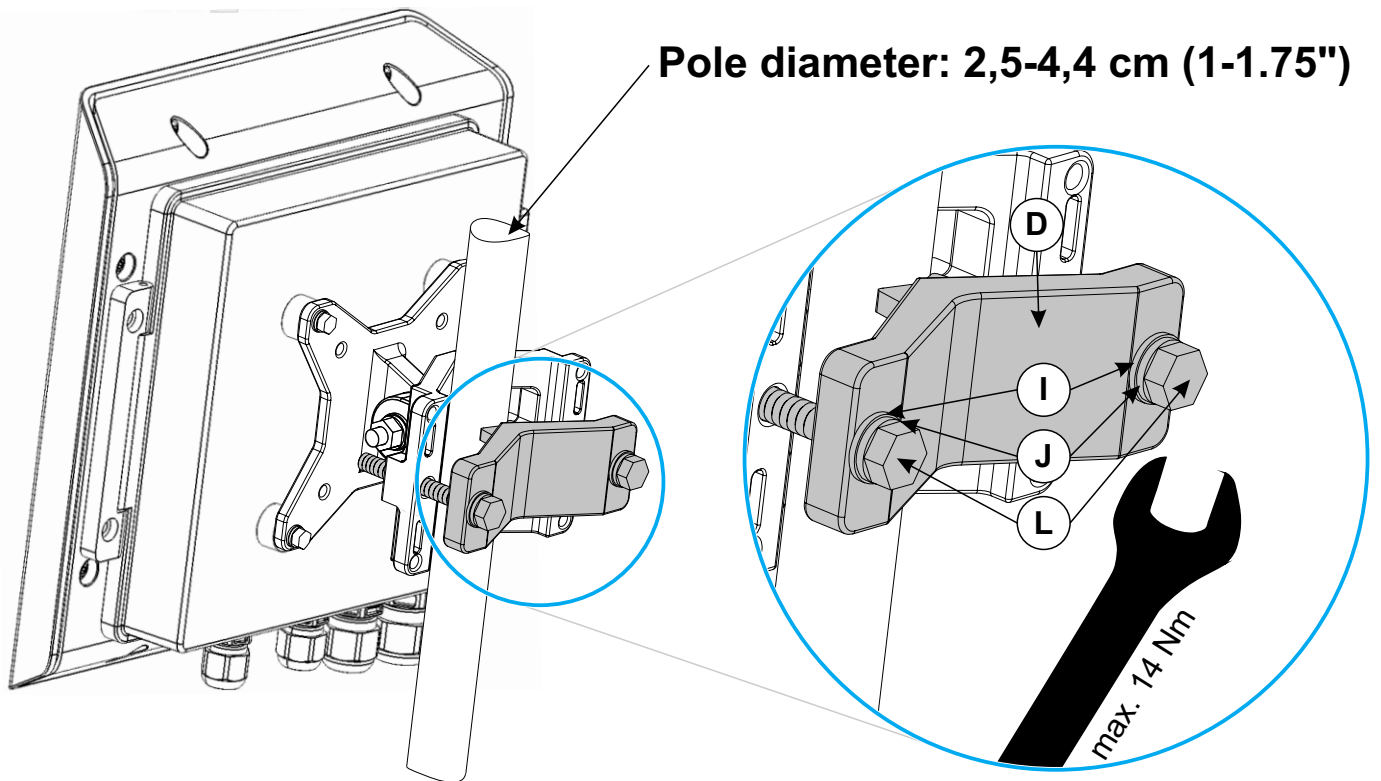
2A

Pole diameter: 4,4-7,6 cm (1.75-3")



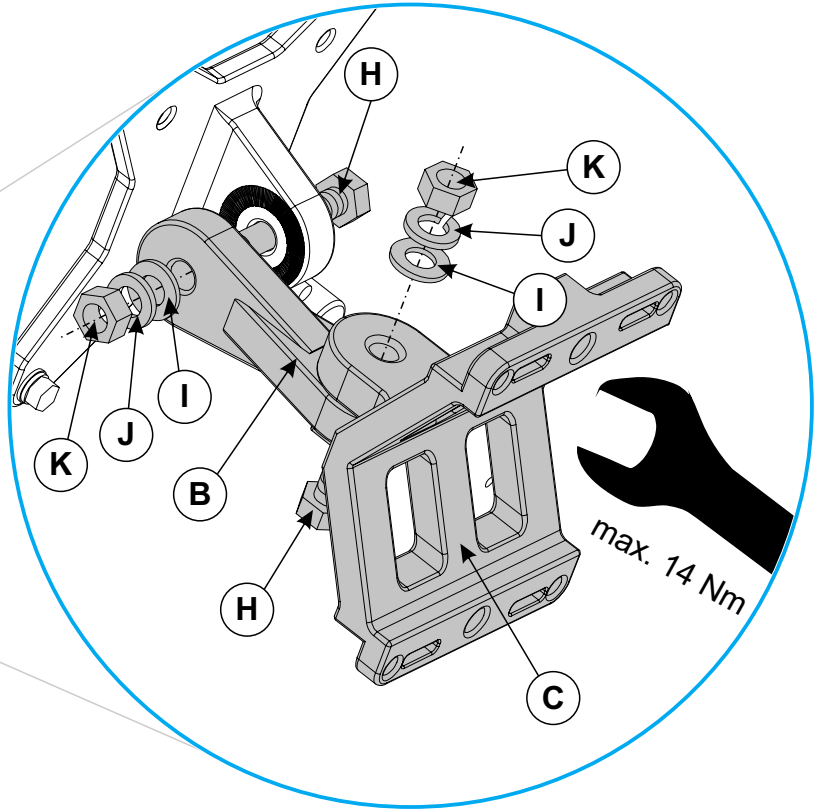
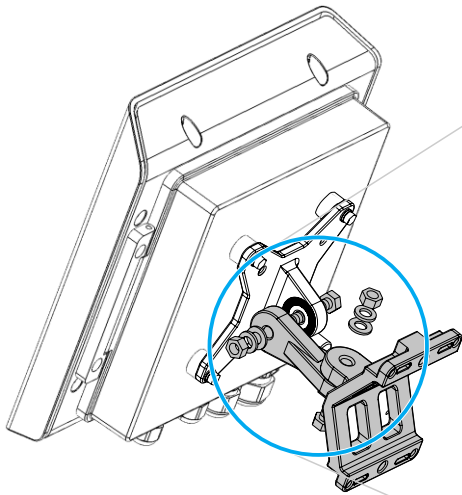
2B

Pole diameter: 2,5-4,4 cm (1-1.75")

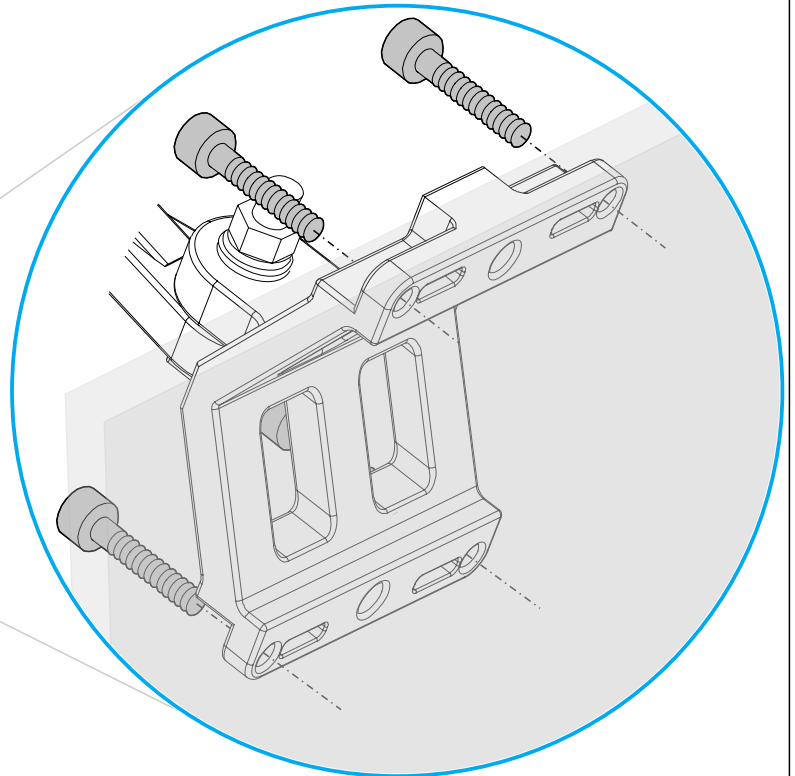
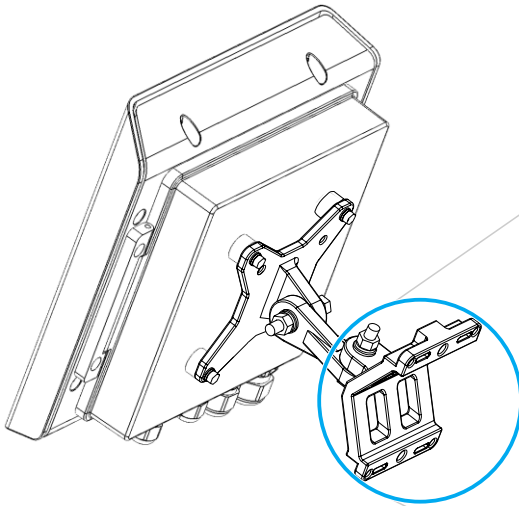


Wall Mounting

1



2



The screws for wall mounting are not supplied.