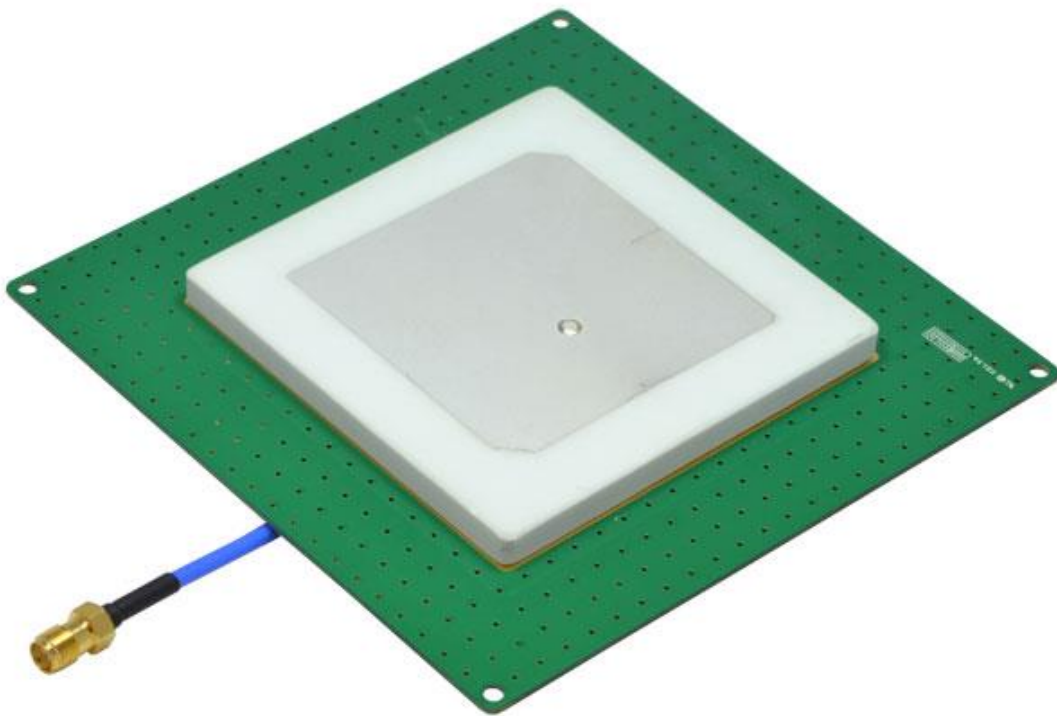




Ingeniería Electrónica
RFID

ANTENA CERÁMICA UHF 79X79 (120X120) EU SMA-10CM

ISC.ANTC.U79X79-EU

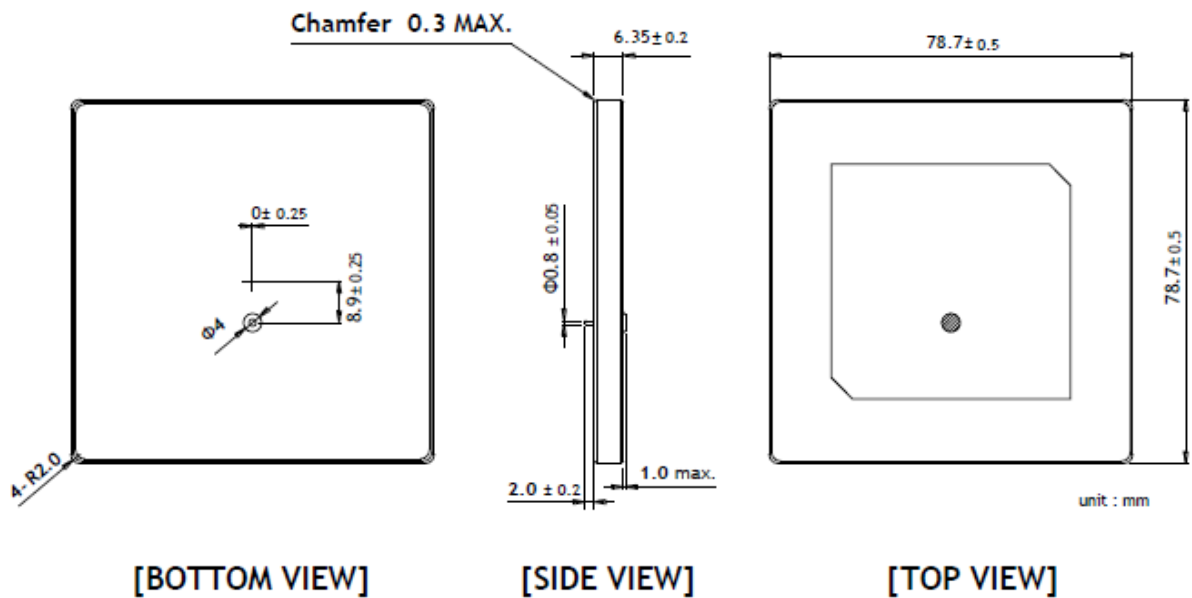




Características Eléctricas:

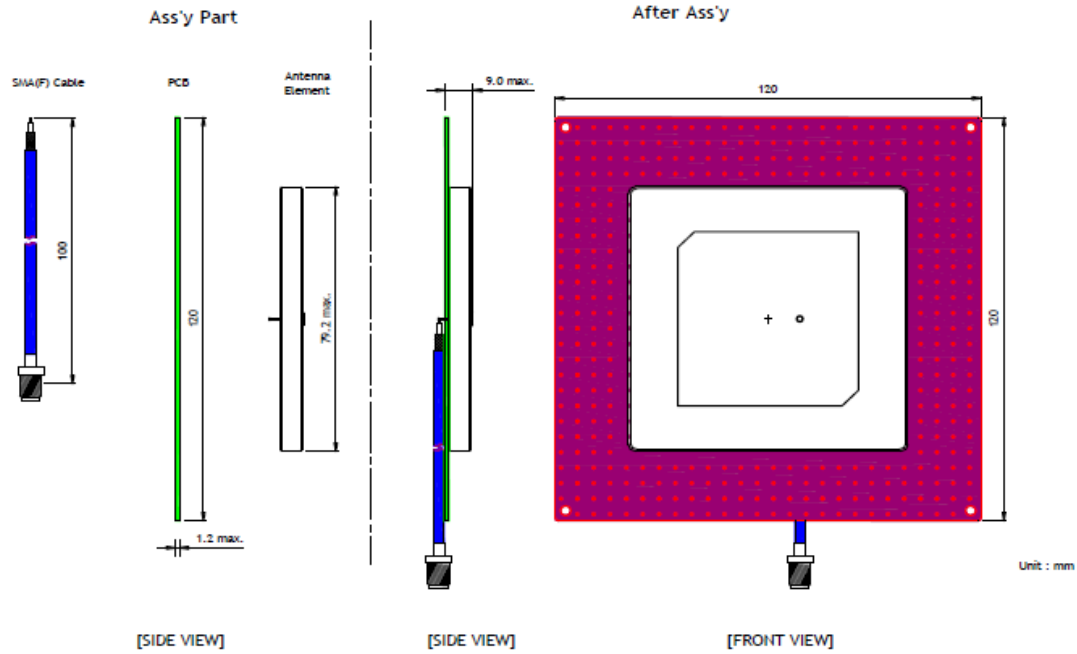
| NO. | Parameter | Spec. | | | Unit | Remark |
|-----|------------------|--------------|-------------------|-----------|-------|--------------------|
| | | Ant. Element | PCB & Cable Ass'y | Set Ass'y | | |
| 1 | Center Frequency | | 866.0 ± 3 | | MHz | |
| 2 | Band Width | typ. | 18 typ. | typ. | MHz | @ -10 dB R.L |
| 3 | VSWR | max. | 2.0 : 1 max. | max. | Ratio | |
| 4 | Impedance | | 50 | | Ohms | |
| 5 | Peak Gain | typ. | 3.0 typ. | typ. | dBil | @ PCB & Cale Ass'y |
| 6 | Polarization | | RHCP | | | |

Dimensiones:





Montaje del cable:



Radiación antena:

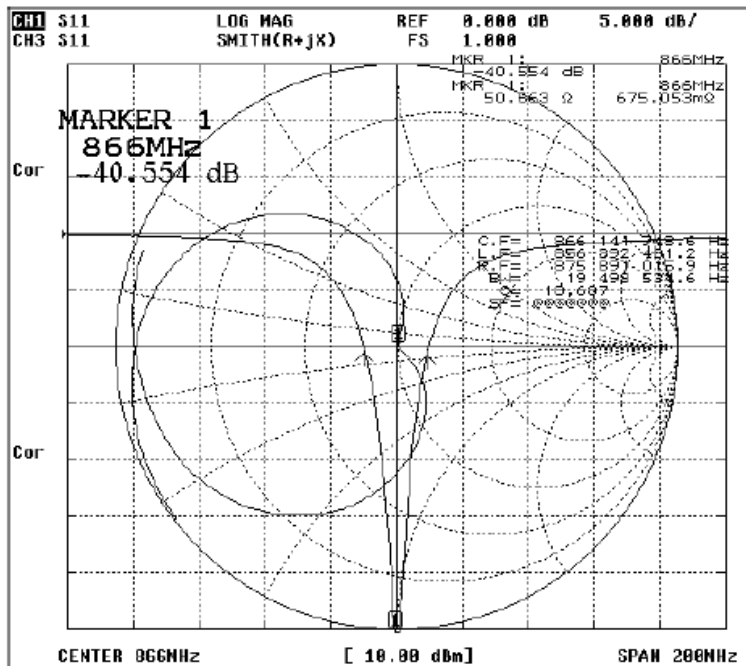
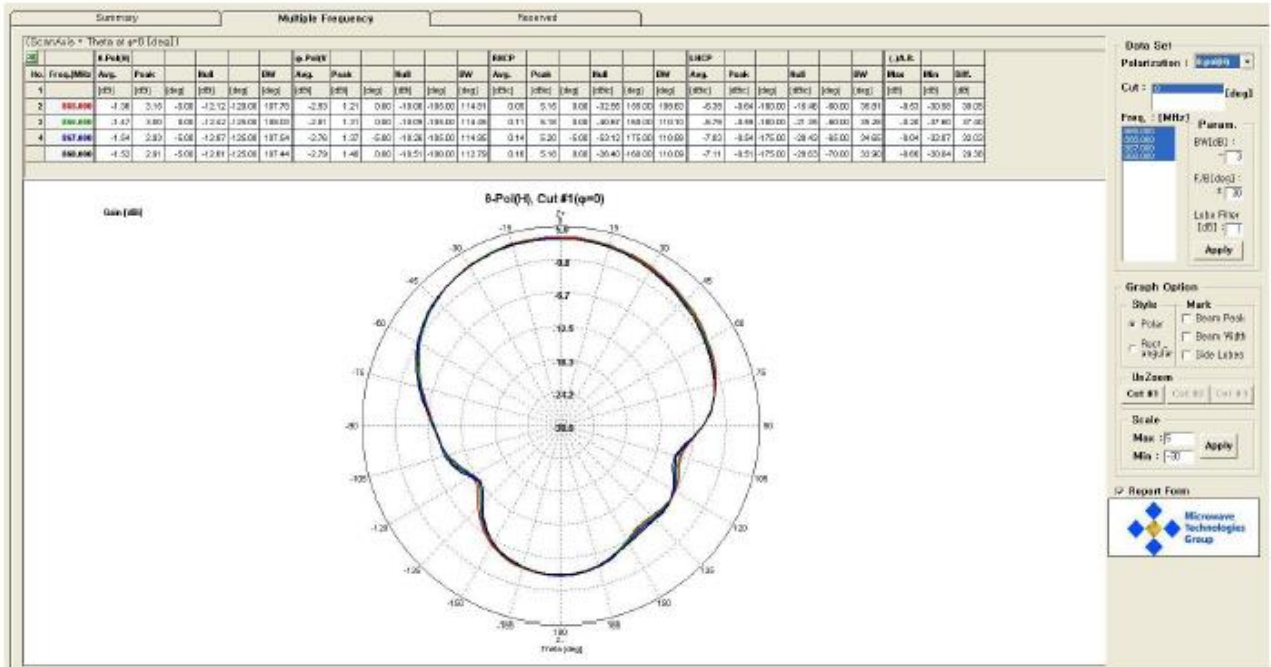


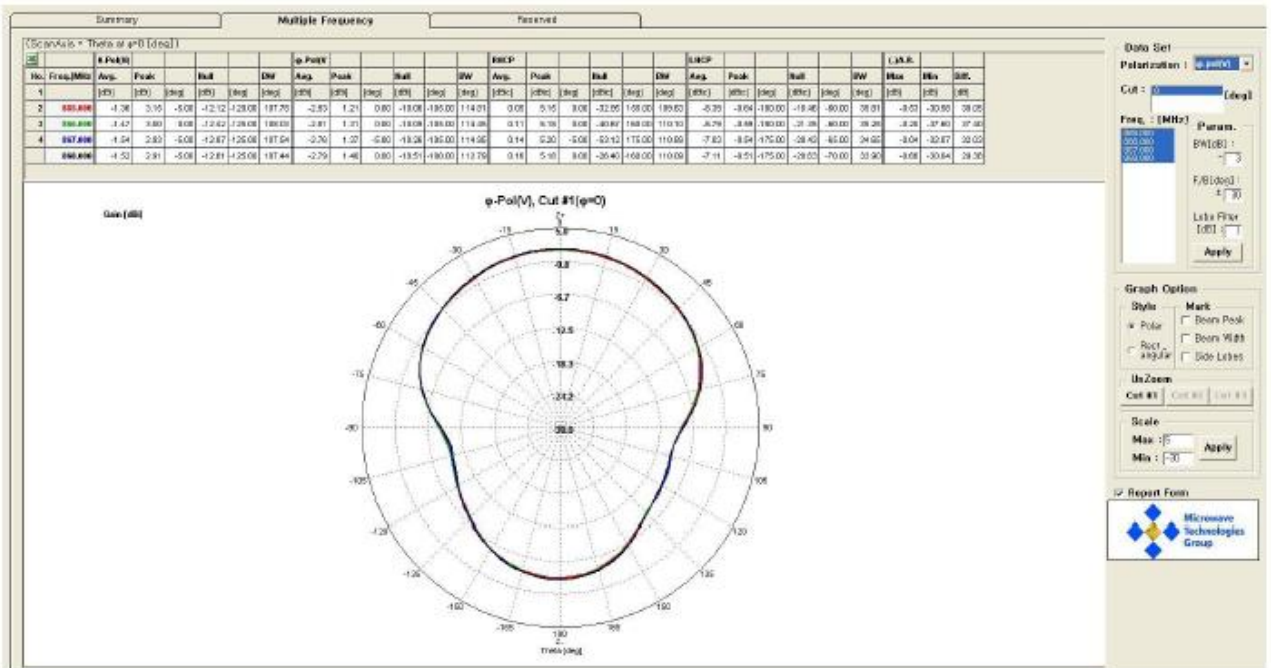


Diagrama de radiación:

- H-Pol – Frecuencias: 865,0, 866,0, 867,0, 868,0 MHz



- V-Pol – Frecuencias: 865,0, 866,0, 867,0, 868,0 MHz





Ingeniería Electrónica
RFID

Test de ganancia (Gain):

| Source Antenna Polarization | Frequency (MHz) | | | |
|-----------------------------|-----------------|-----------|-----------|-----------|
| | 865.0 MHz | 866.0 MHz | 867.0 MHz | 868.0 MHz |
| H-Pol. (dBiL) | 3.15 | 3.00 | 2.93 | 2.91 |
| V-Pol. (dBiL) | 1.21 | 1.31 | 1.37 | 1.40 |
| RHCP(dBic) | 5.15 | 5.18 | 5.20 | 5.18 |